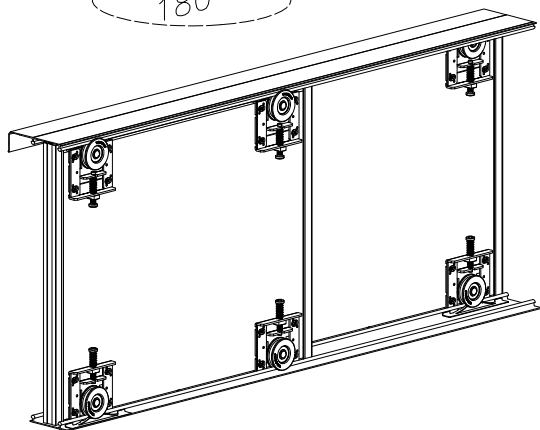
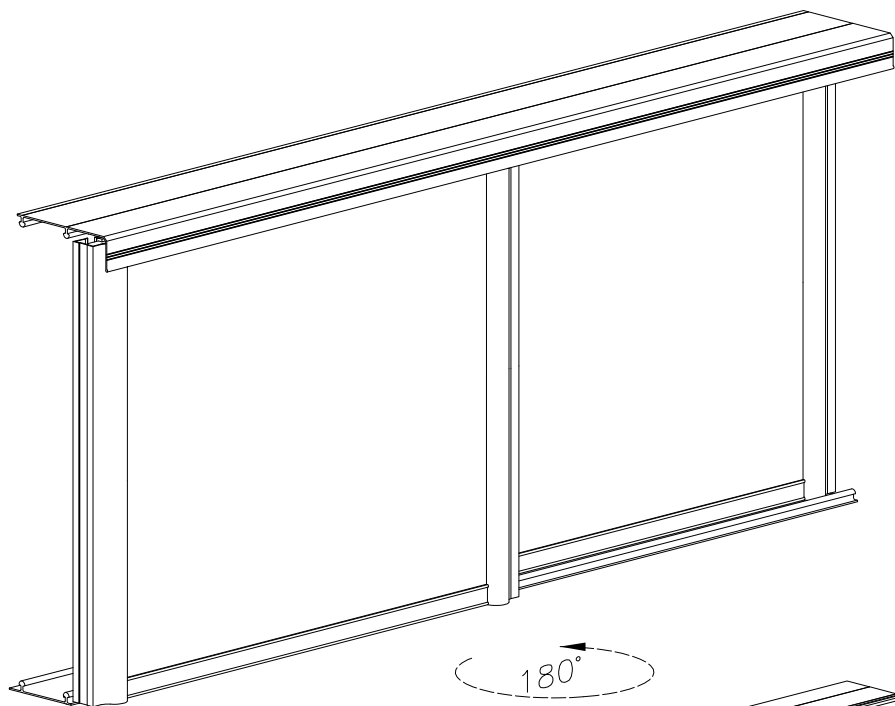
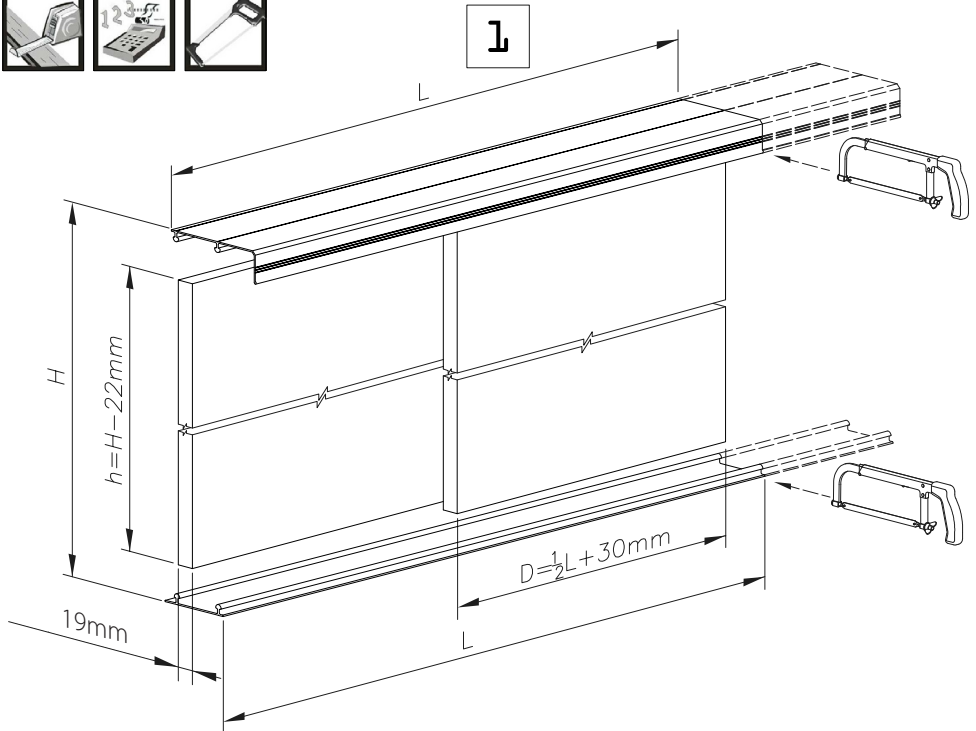
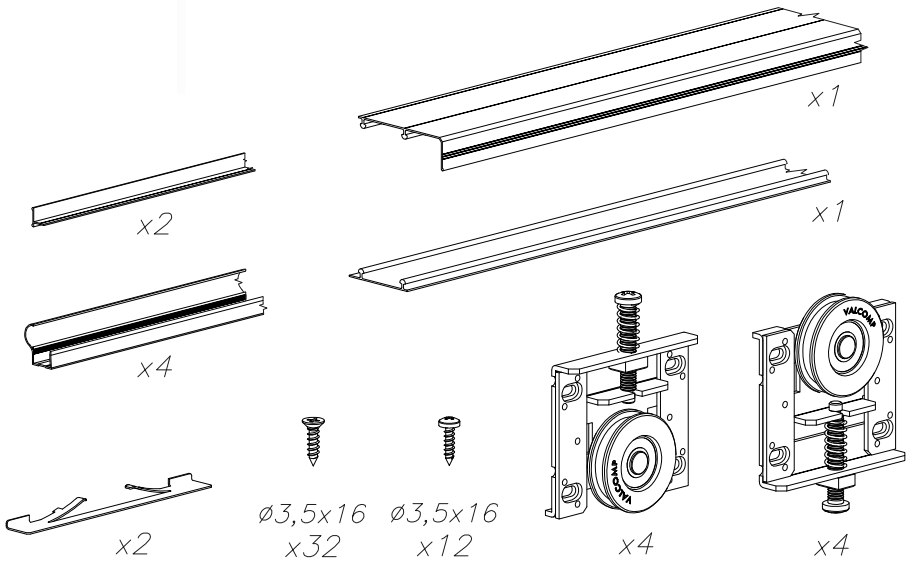
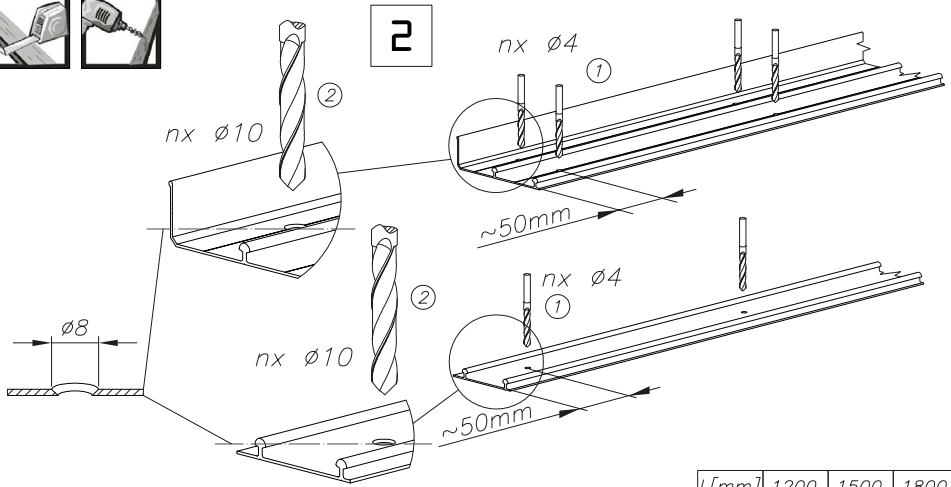


WS 70



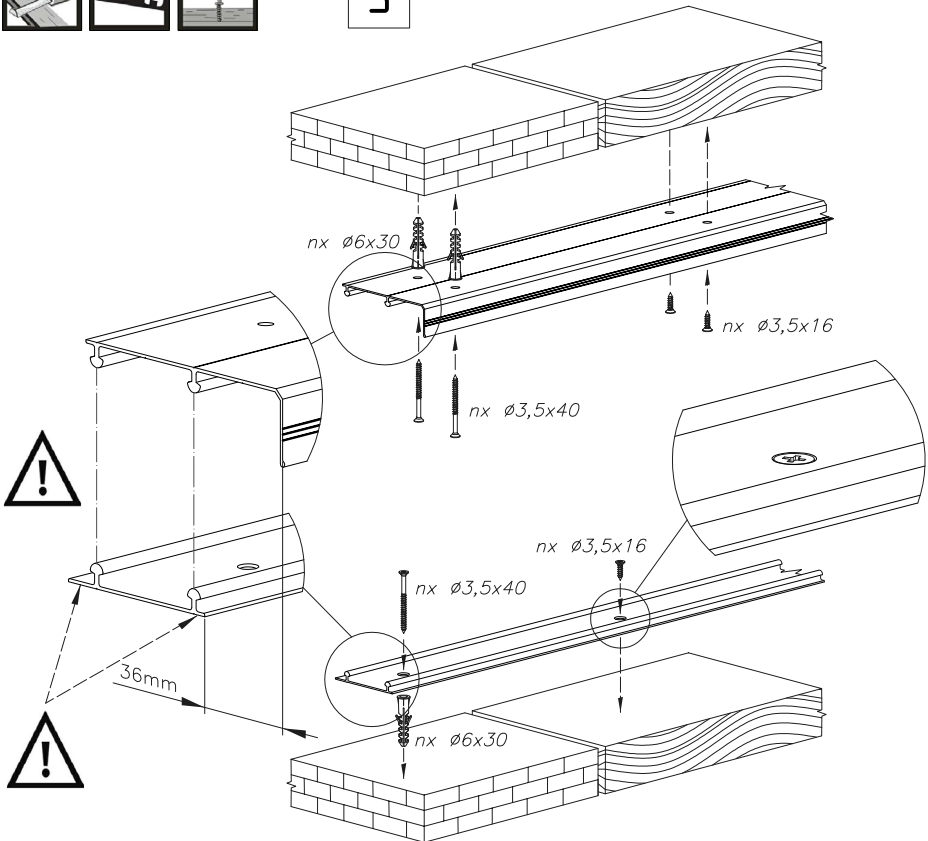




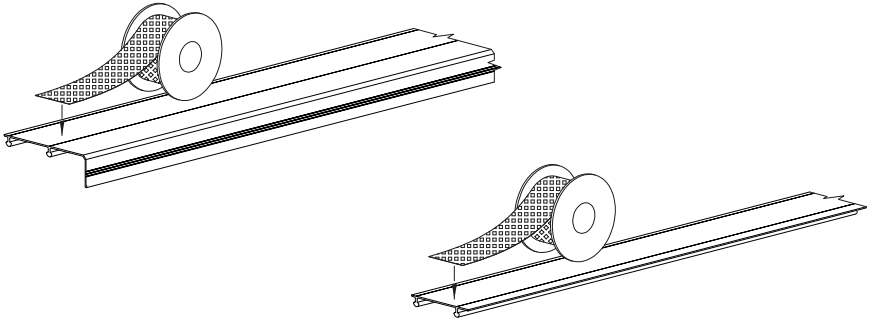
L[mm]	1200	1500	1800
n[pc.]	3	3	4



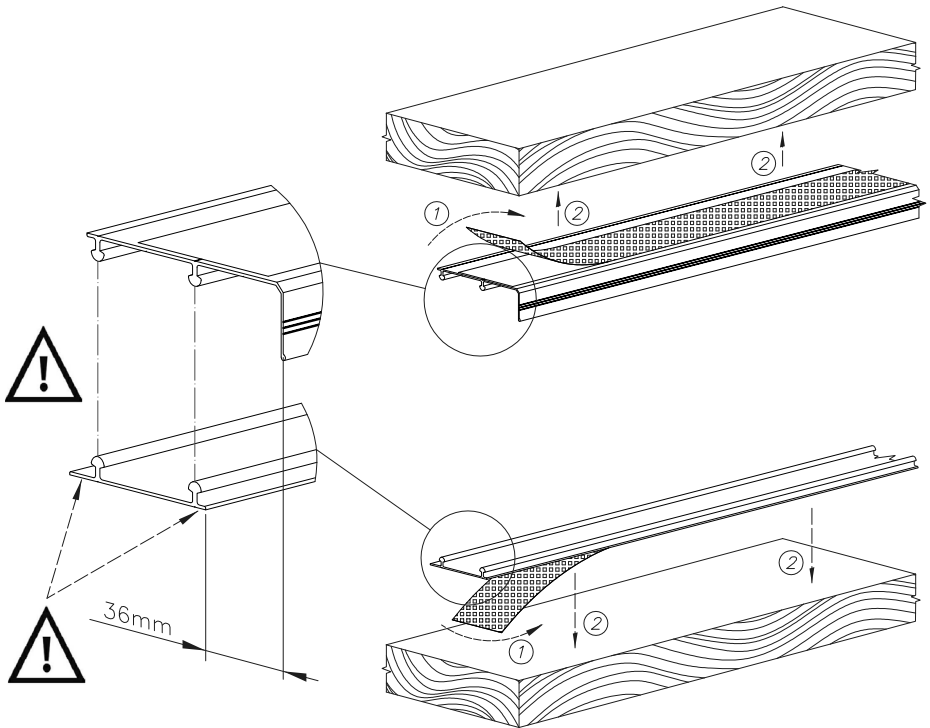
3



2'

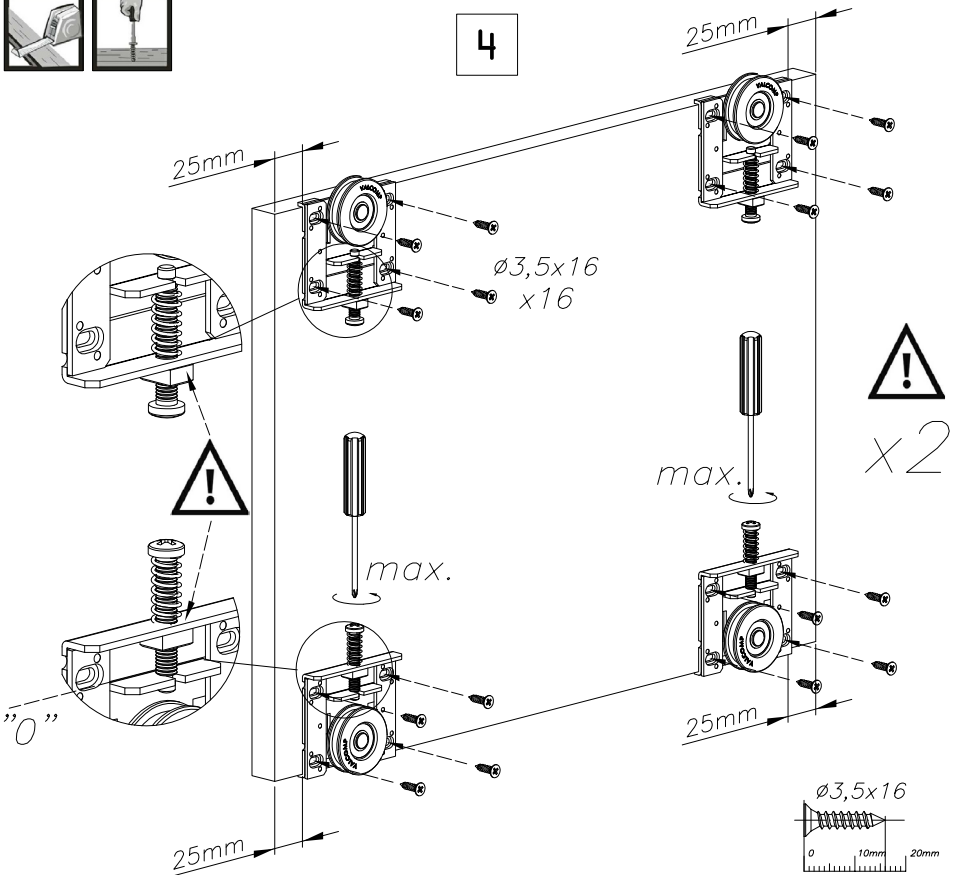


3'

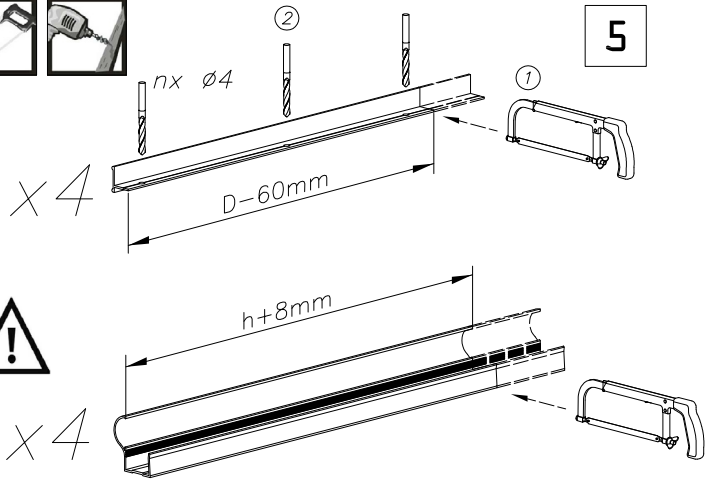




4



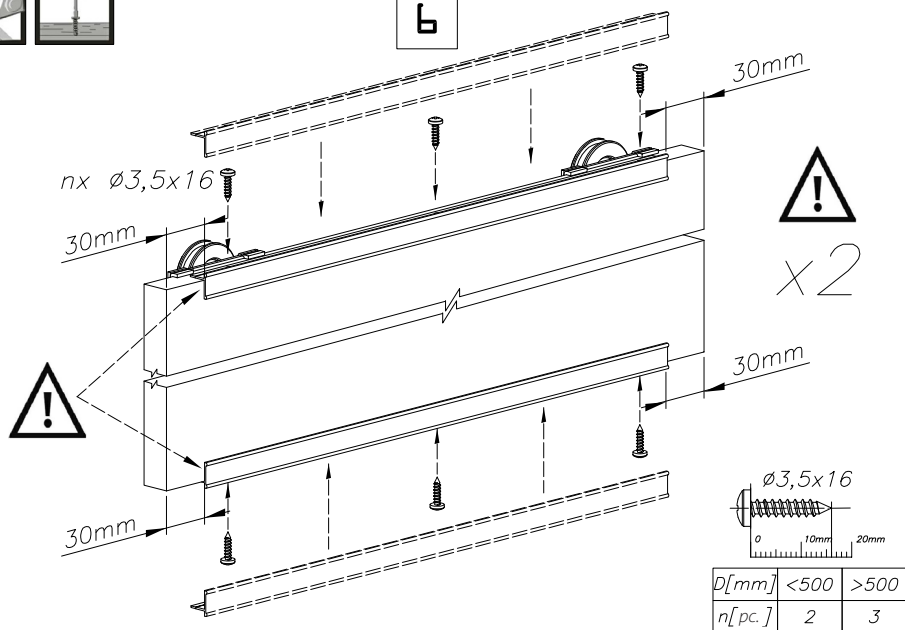
5



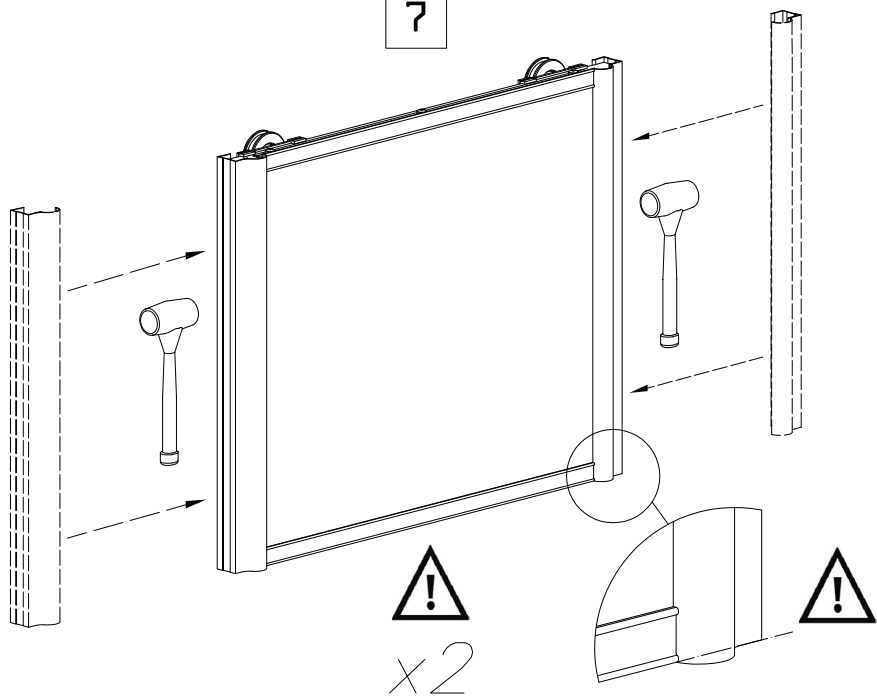
D[mm]	<500	>500
n[pc.]	2	3

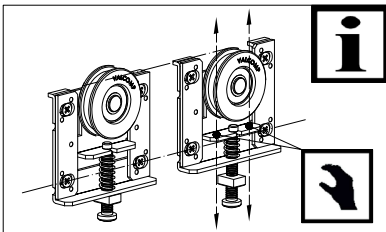
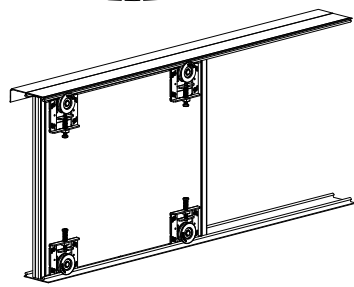
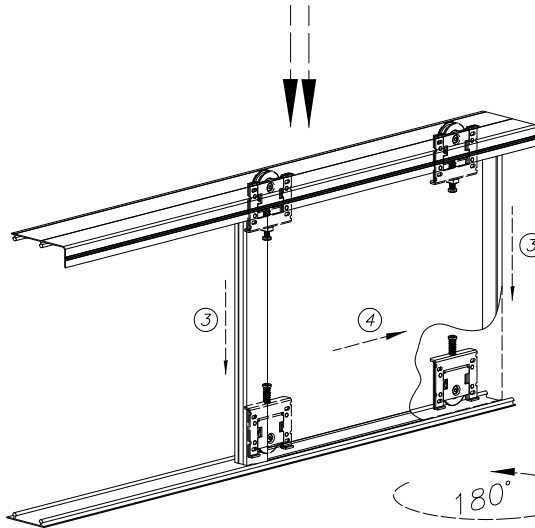
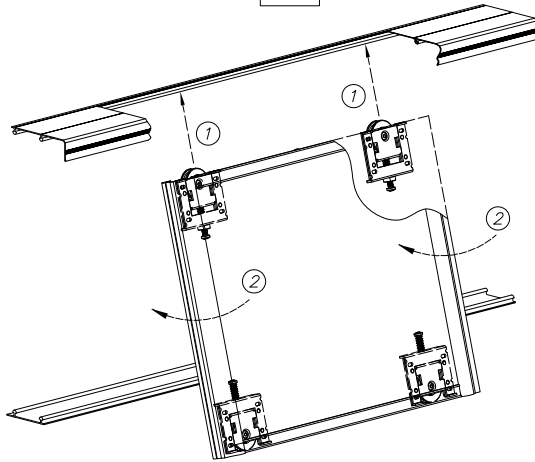


6

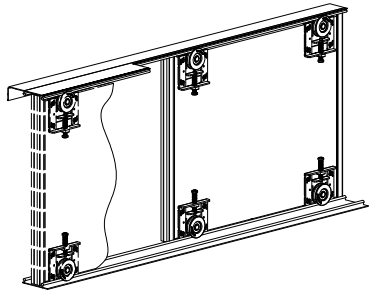
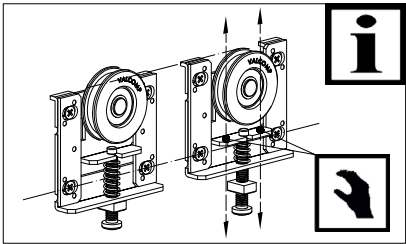
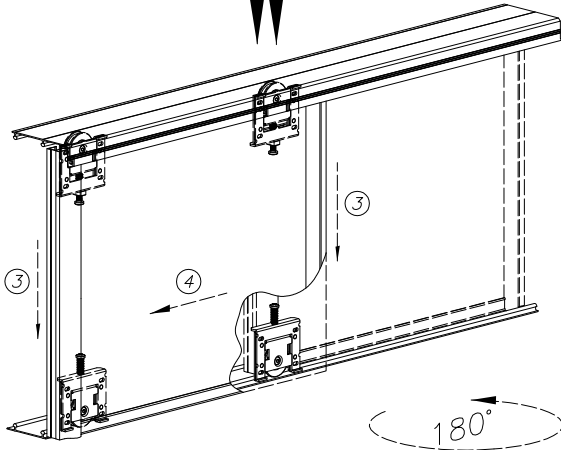
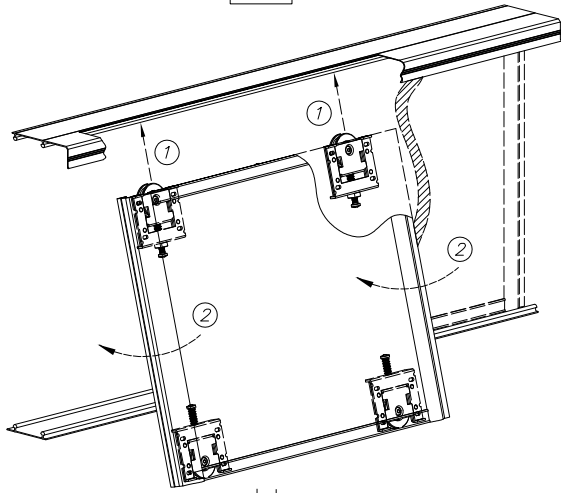


7



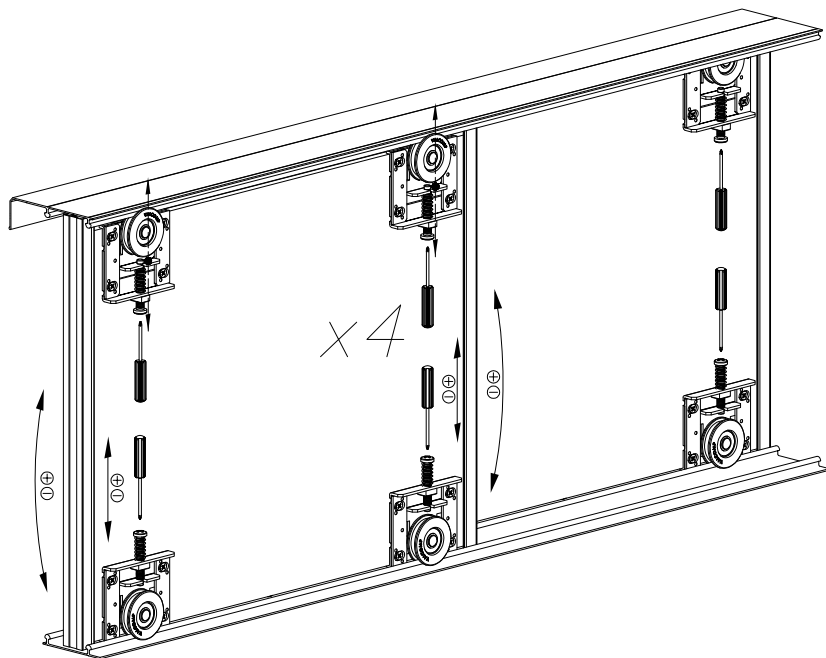


9

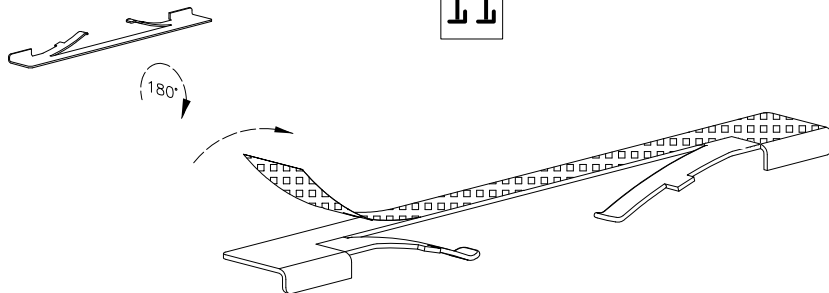




10



11



x2



12

